

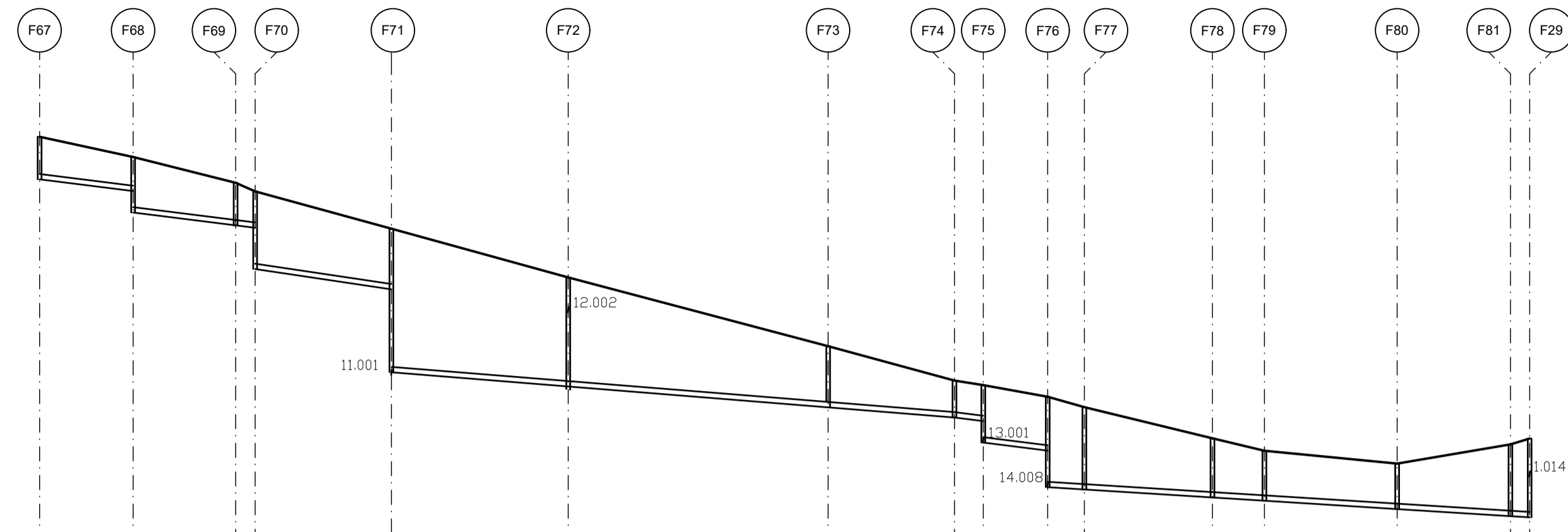
A1

DO NOT SCALE

100

10

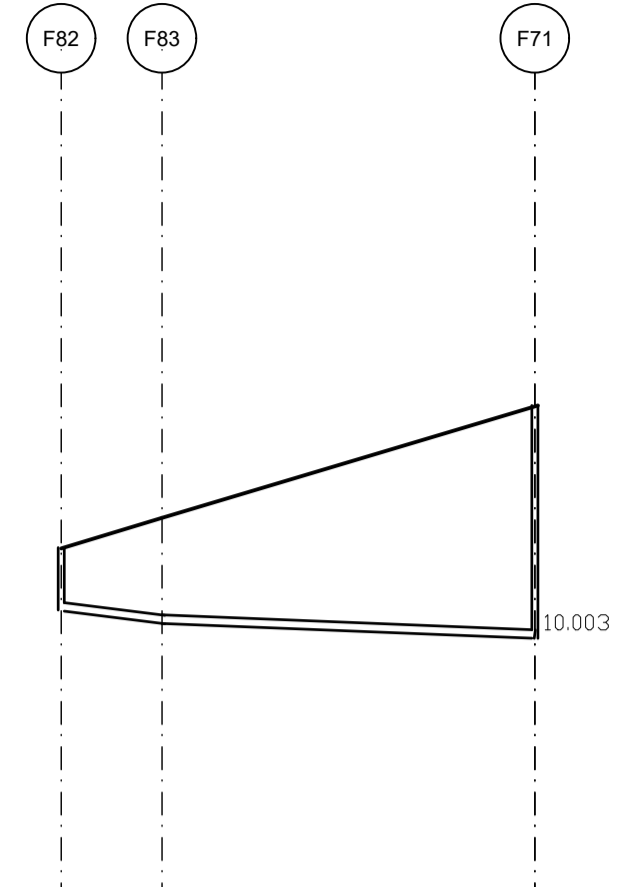
0



Hor Scale 1500
Ver Scale 200

Datum (m)	F10.000	F10.001	F10.003	F10.004	F10.005	F10.006	F10.008	F10.010	F10.012	F10.013
PI	225	225	225	225	225	225	225	225	225	225
Dia (mm)	600	600	600	600	600	600	600	600	600	600
Slope (1:X)										
Cover Level (m)	76.389	84.351	83.471	83.110	81.550	79.511	76.631	75.183	74.512	74.071
Invert Level (m)	76.675	83.128	82.228	81.659	79.012	78.540	74.070	73.645	73.227	70.631
Length (m)	29.361	32.198	42.806	55.533	81.634	39.674	20.220	40.233	41.679	35.586

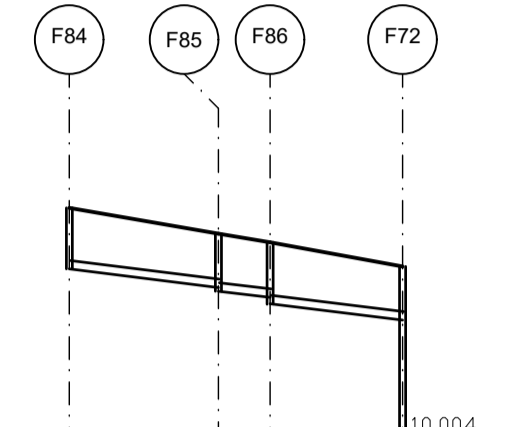
Foul Longitudinal Section FMH67 - FMH29
Scale 1:1500 (Horizontally), 1:200 (Vertically)



Hor Scale 1500
Ver Scale 200

Datum (m)	F11.000	F11.001
PI	225	225
Dia (mm)	600	600
Slope (1:X)		
Cover Level (m)	77.782	78.800
Invert Level (m)	78.387	78.034
Length (m)	20.002	74.020

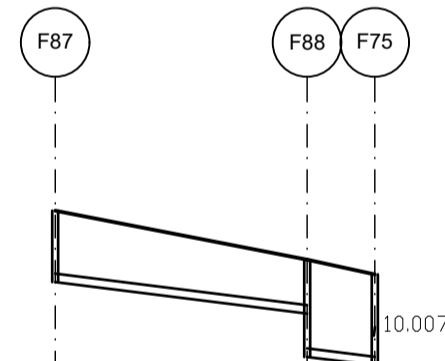
Foul Longitudinal Section FMH82 - FMH71
Scale 1:1500 (Horizontally), 1:200 (Vertically)



Hor Scale 1500
Ver Scale 200

Datum (m)	F12.000	F12.002
PI	225	225
Dia (mm)	600	600
Slope (1:X)		
Cover Level (m)	81.058	80.378
Invert Level (m)	78.416	78.855
Length (m)	29.569	26.303

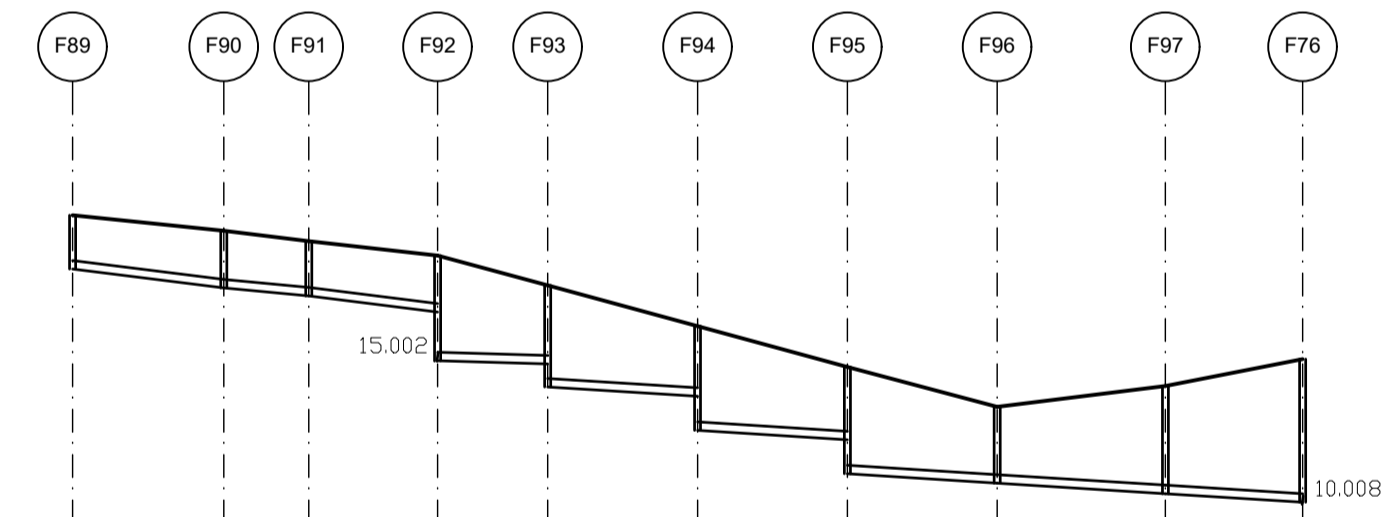
Foul Longitudinal Section FMH84 - FMH72
Scale 1:1500 (Horizontally), 1:200 (Vertically)



Hor Scale 1500
Ver Scale 200

Datum (m)	F13.000
PI	225
Dia (mm)	600
Slope (1:X)	
Cover Level (m)	76.685
Invert Level (m)	74.196
Length (m)	50.000

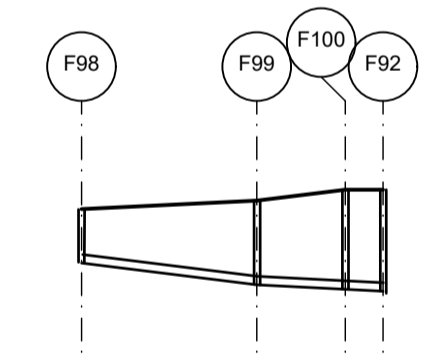
Foul Longitudinal Section FMH87 - FMH75
Scale 1:1500 (Horizontally), 1:200 (Vertically)



Hor Scale 1500
Ver Scale 200

Datum (m)	F14.000	F14.001	F14.002	F14.003	F14.004	F14.005	F14.006	F14.007	F14.008
PI	225	225	225	225	225	225	225	225	225
Dia (mm)	600	600	600	600	600	600	600	600	600
Slope (1:X)									
Cover Level (m)	78.320	77.607	77.632	77.253	76.464	76.384	74.304	73.251	73.800
Invert Level (m)	76.320	76.395	76.114	75.688	74.568	73.523	72.380	71.232	70.954
Length (m)	30.000	16.863	25.556	21.852	29.726	29.726	29.726	33.379	27.219

Foul Longitudinal Section FMH89 - FMH76
Scale 1:1500 (Horizontally), 1:200 (Vertically)



Hor Scale 1500
Ver Scale 200

Datum (m)	F15.000	F15.001
PI	225	225
Dia (mm)	600	600
Slope (1:X)		
Cover Level (m)	76.739	76.967
Invert Level (m)	76.374	74.735
Length (m)	34.764	17.547

Foul Longitudinal Section FMH98 - FMH92
Scale 1:1500 (Horizontally), 1:200 (Vertically)

File: 5186693_HTR_01_DR_0580-0583.dwg
Date: Apr 07, 2022 - 12:15pm
Plotted by: patrick.sheridan

© ORDNANCE SURVEY IRELAND LICENSE No. AR 0082518
ORDNANCE SURVEY IRELAND & GOVERNMENT OF IRELAND

FINAL LAYOUT AS AGREED WITH IRISH WATER IN THE STATEMENT OF DESIGN ACCEPTANCE (REF NO. CDS21005352, LETTER DATED 23/03/22)

Rev	Description	By	Date	Chk'd	Auth
A	PLANNING SUBMISSION	PS	01.04.22	AC	GH
-	ISSUED FOR IRISH WATER REVIEW	PS	26.10.21	AC	GH

SNC-LAVALIN
Member of the SNC-Lavalin Group

ATKINS
Member of the SNC-Lavalin Group

Atkins House, 150-155 Ailside Business Park, Swords, Co. Dublin
Tel (+353) 01 810 8000
Fax (+353) 01 810 8001

Unit 2B, 2200 Cork Airport Business Park, Cork
Tel (+353) 021 429 0300
Fax (+353) 021 429 0360

2nd Floor Technology House Parkmore Technology Park, Galway
Tel (+353) 091 786 050
Fax (+353) 091 779 830

Client: **Cosgrave**

Project: **FASSAROE DEVELOPMENT**

Purpose			
PLANNING			
Title			
PHASE 1 PROPOSED FOUL WATER LONGSECTIONS SHEET 3			
Original Scale	Design/Drawn	Checked	Authorized
AS SHOWN	PS	AC	GH
Status	Drawing Number	Date	Rev
P	5186693 / HTR / 01 / DR / 0582	22.11.21	A